



US00D507107S

(12) **United States Design Patent** (10) **Patent No.:** **US D507,107 S**  
**Goldberg** (45) **Date of Patent:** **\*\* Jul. 12, 2005**

- (54) **MESSENGER BAG**
- (75) **Inventor:** **Brandy Isadora Goldberg**, Paradise Valley, AZ (US)
- (73) **Assignee:** **Bisadora, LLC**, Phoenix, AZ (US)
- (\*\*) **Term:** **14 Years**

*Primary Examiner*—Louis S. Zarfaz  
*Assistant Examiner*—Monica A. Weingart  
 (74) *Attorney, Agent, or Firm*—Michael S. Neustel

(57) **CLAIM**

The ornamental design for a messenger bag, as shown and described.

- (21) **Appl. No.:** **29/205,764**
- (22) **Filed:** **May 18, 2004**
- (51) **LOC (8) Cl.** ..... **03-01**
- (52) **U.S. Cl.** ..... **D3/246**
- (58) **Field of Search** ..... D3/232, 233, 234, 243, 244, 245, 246, 303, 315, 247, 249; 150/110, 111, 112, 118, 900; 190/100, 106, 109, 115, 903; 383/70, 71, 72, 75, 76, 117

**DESCRIPTION**

- FIG. 1 is a front view of a messenger bag showing my new design.
- FIG. 2 is a rear view of a messenger bag showing my new design.
- FIG. 3 is an upper perspective view of a messenger bag showing my new design.
- FIG. 4 is an upper perspective view of a messenger bag showing my new design.
- FIG. 5 is a left side view of a messenger bag showing my new design.
- FIG. 6 is a right side view of a messenger bag showing my new design.
- FIG. 7 is a bottom view of a messenger bag showing my new design; and,
- FIG. 8 is a top view of a messenger bag showing my new design.

(56) **References Cited**

**U.S. PATENT DOCUMENTS**

D147,547	*	9/1947	Graham	.....	D3/243
D245,461	*	8/1977	Jones, Jr.	.....	D3/243
D299,384	*	1/1989	Donnor	.....	D3/246
4,989,656 A	*	2/1991	Derfler	.....	150/110
D343,733	*	2/1994	Brask	.....	D3/249
D354,394	*	1/1995	Novak	.....	D3/246

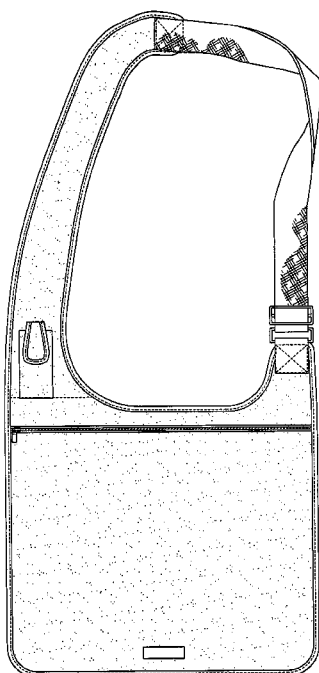
**OTHER PUBLICATIONS**

Pictures of prior Messenger Bag Design—Sold by Bisadora, LLC.

\* cited by examiner

Any shading and cross-hatching are not features of the design but are utilized to illustrate the surface contours of the messenger bag design in the drawings.

**1 Claim, 8 Drawing Sheets**



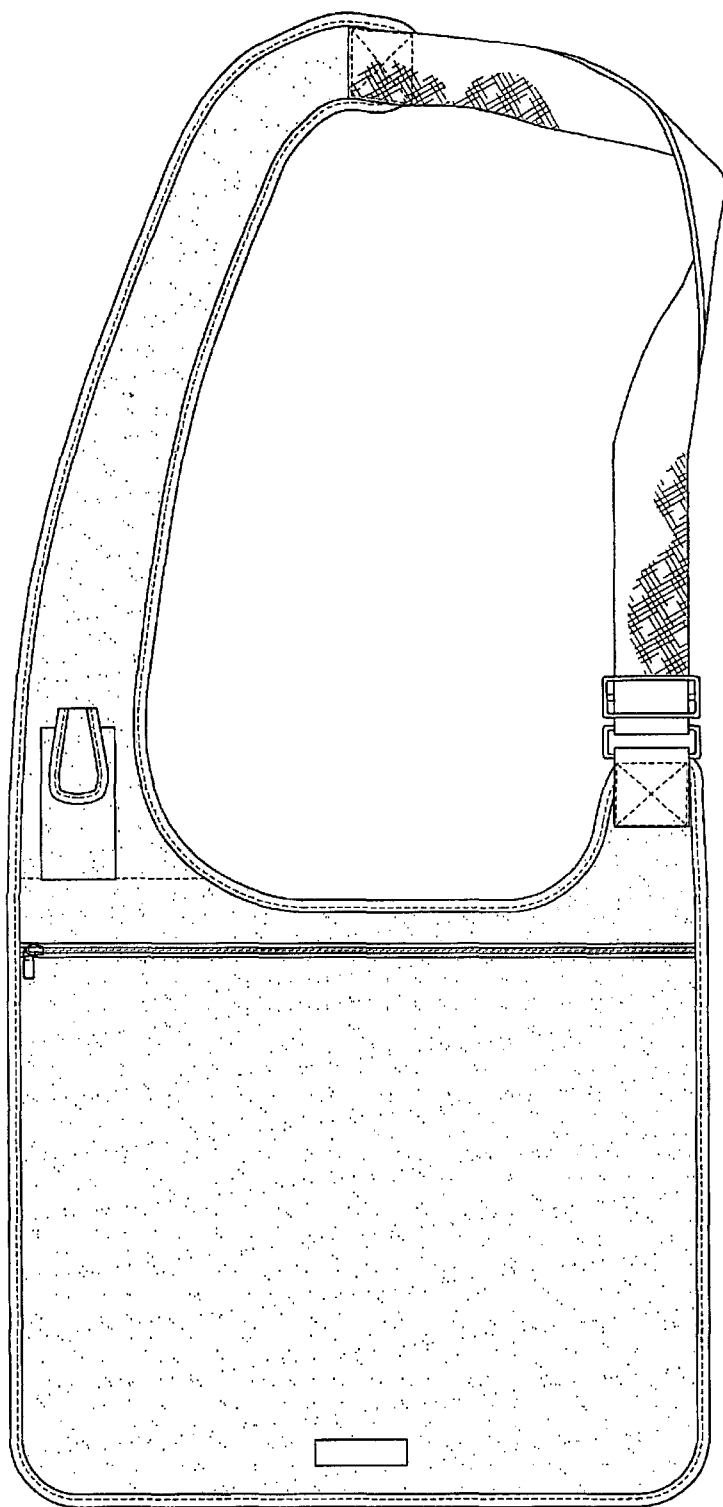


FIG. 1

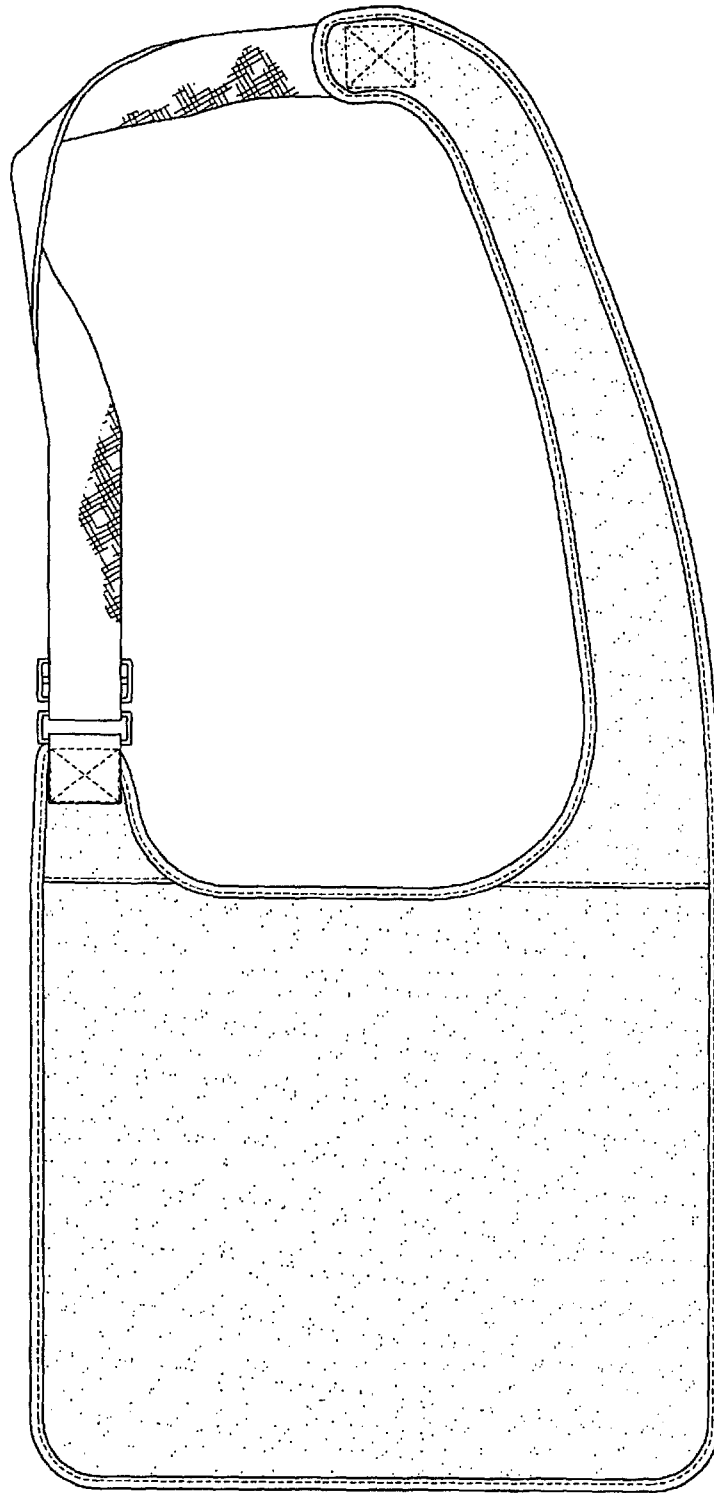


FIG. 2

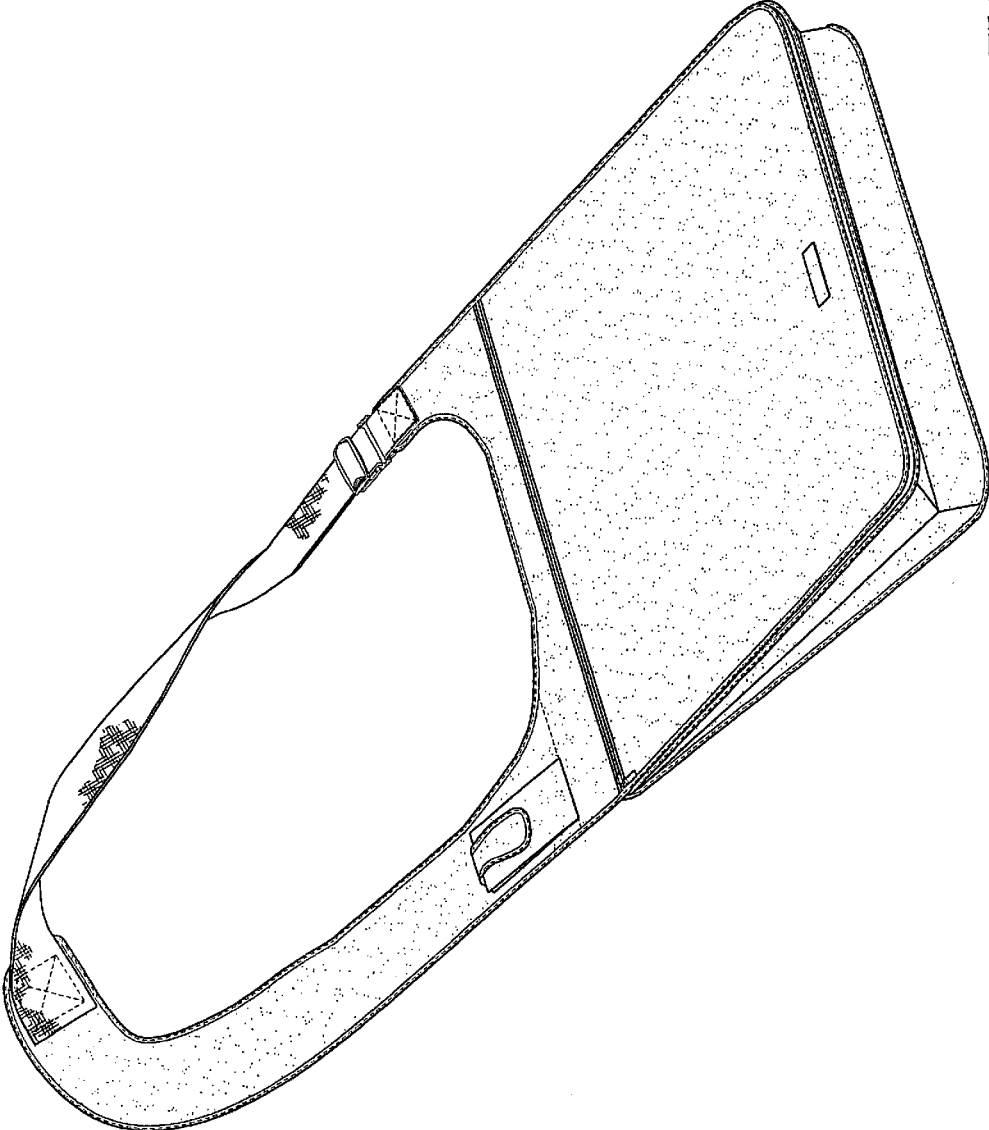


FIG. 3

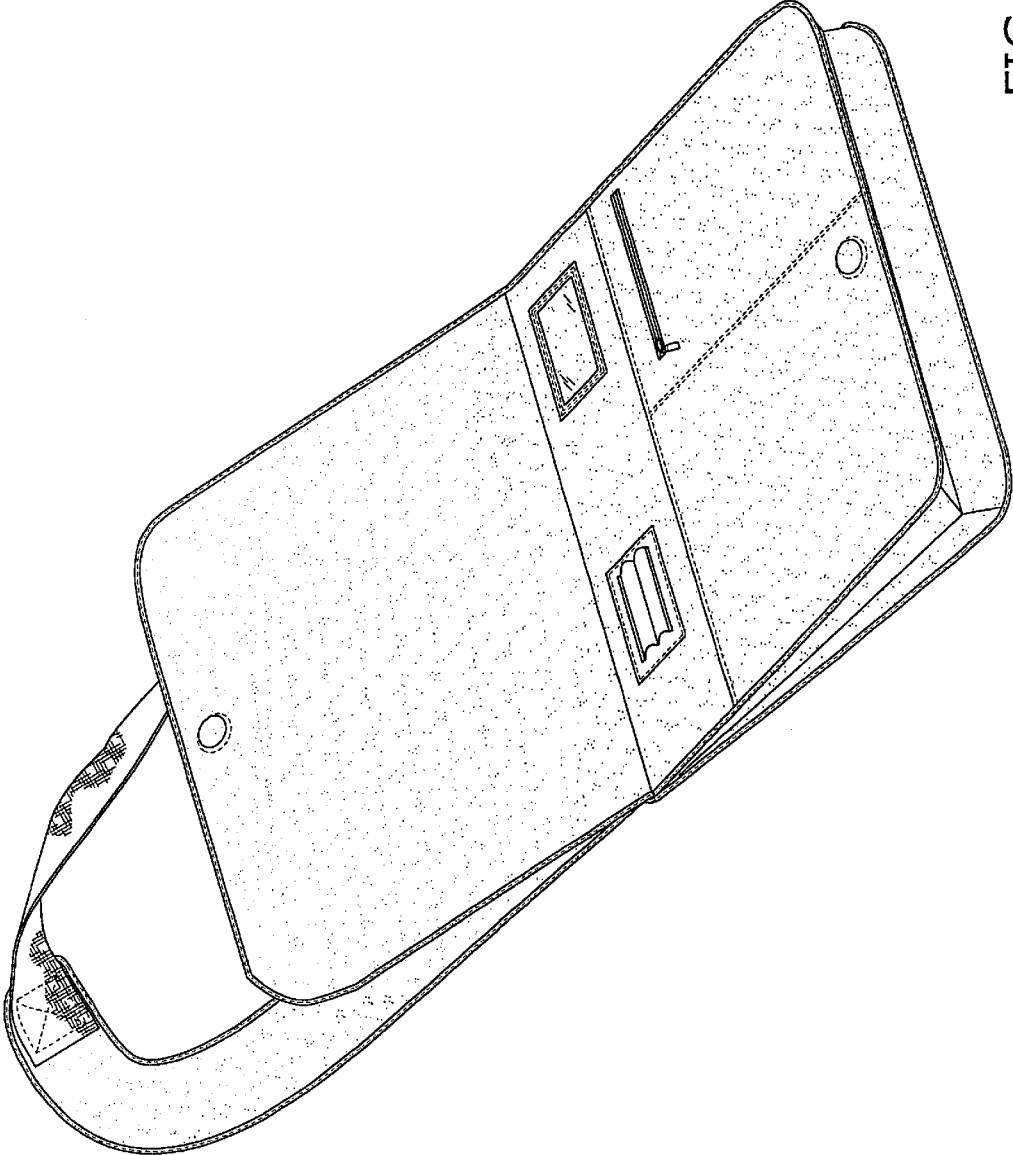


FIG. 4

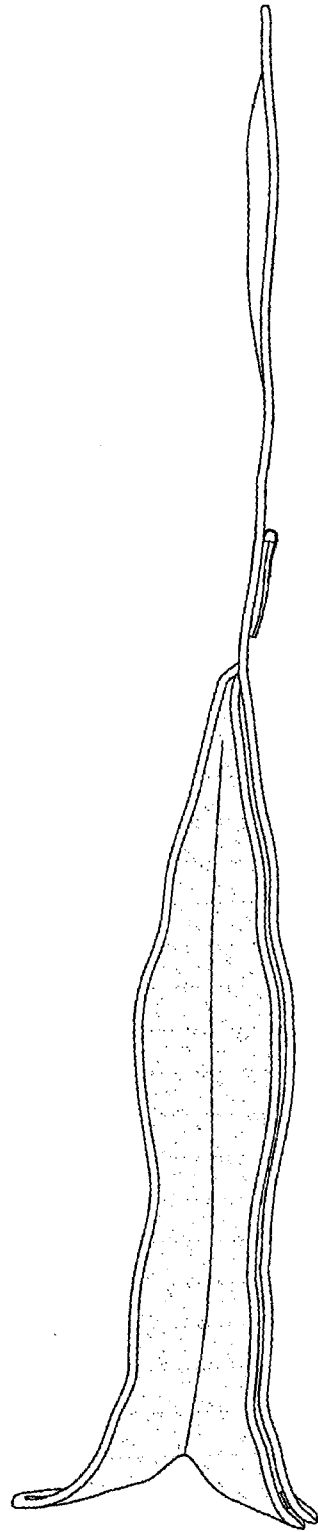


FIG. 5

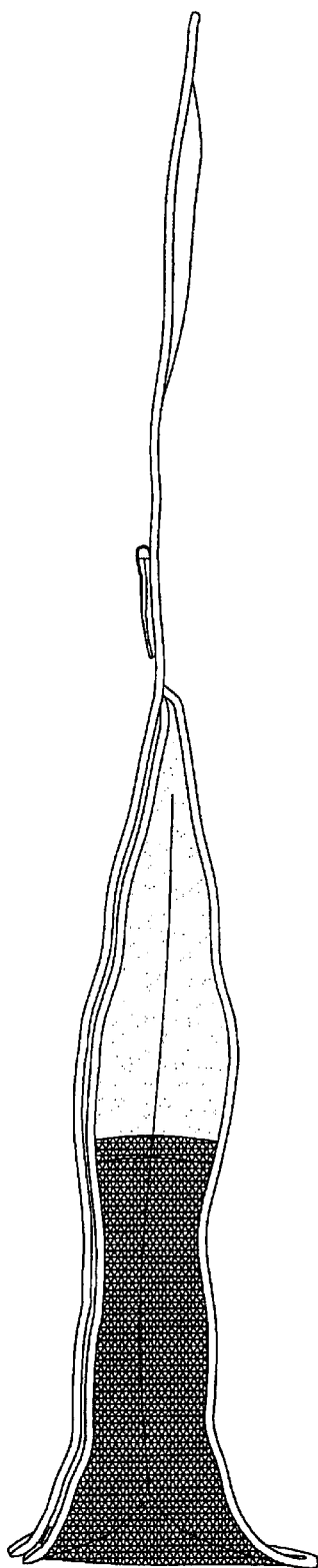


FIG. 6

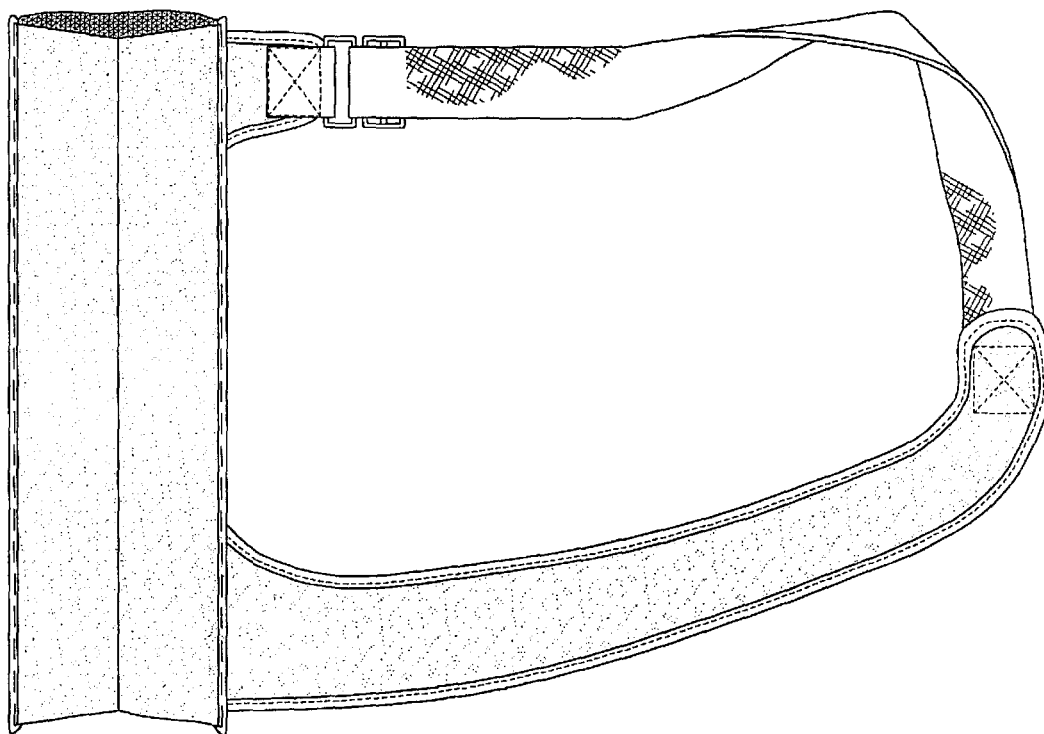


FIG. 7



FIG. 8

